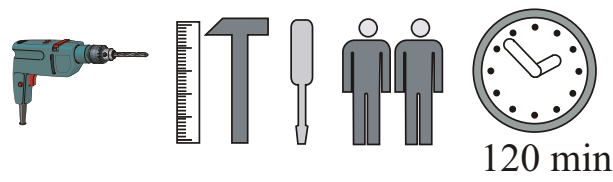
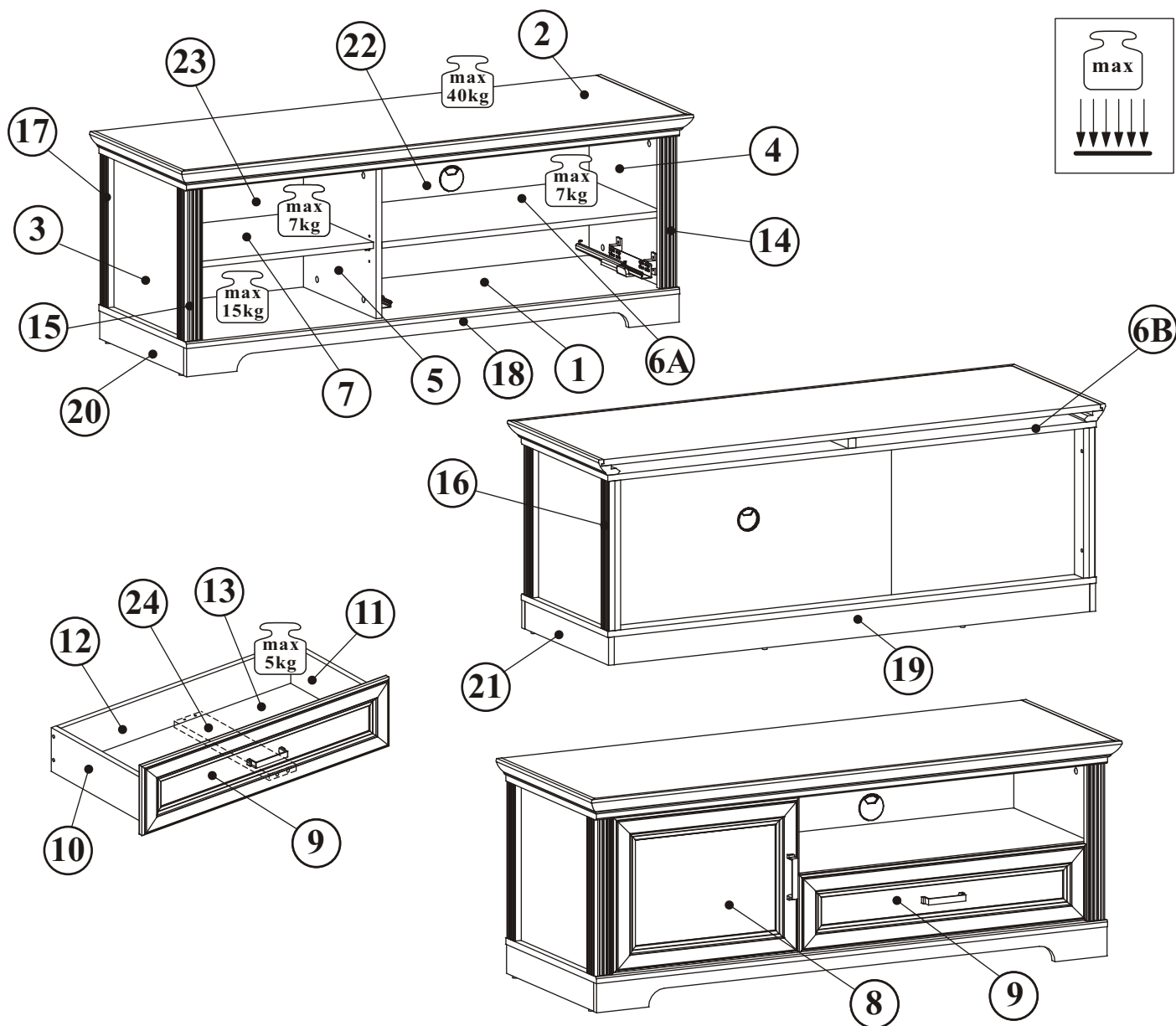
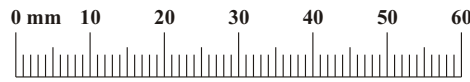



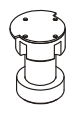
JASMIN 10G9_31




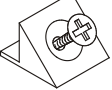



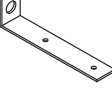
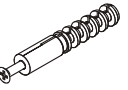
NO	Dim.		Col.-No	Qty
1	1376	482	1	1
2	1429	508	2	1
3	386	455	2	1
4	386	455	2	1
5	386	401	2	1
6A	781	401	1	1
6B	1376	482	2	1
7	507	386	1	1
8	380	496	1	1
9	770	188	1	1
10	350	120	1	1
11	350	120	1	1

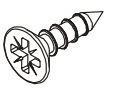
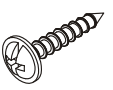

NO	Dim.		Col.-No	Qty
12	716	106	1	1
13	354	728	1	1
14	386	49	1	1
15	386	49	1	1
16	386	43	1	1
17	386	43	1	1
18	1374	72	1	1
19	1340	72	1	1
20	465	72	1	1
21	465	72	1	1
22	795	398	1	1
23	521	398	1	1
24	349	80	1	1





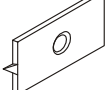
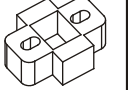


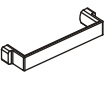




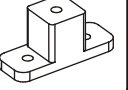
UP9		I9	
x4	UPØ3,5x16	x1	H=60 mm.

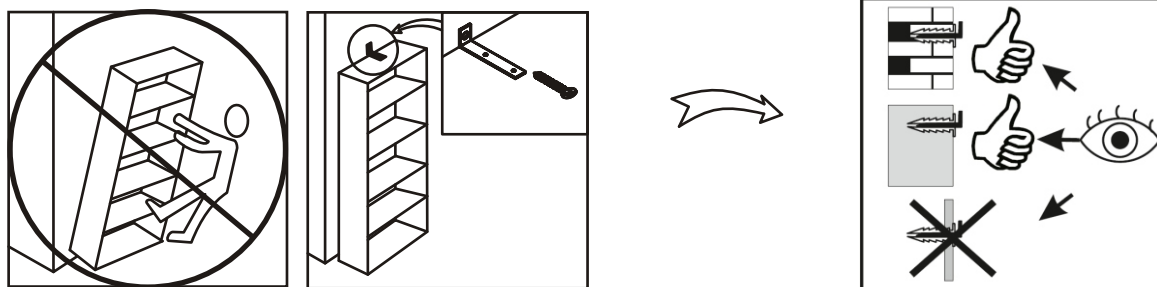
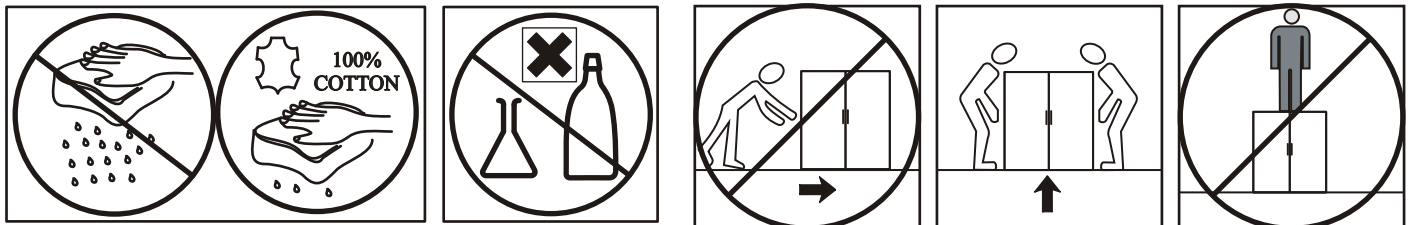
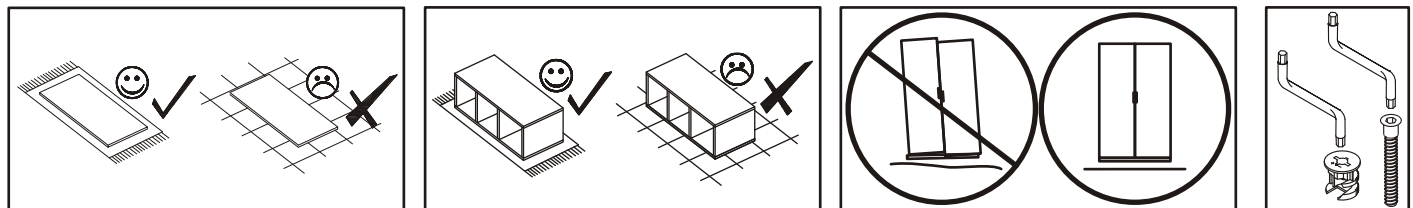
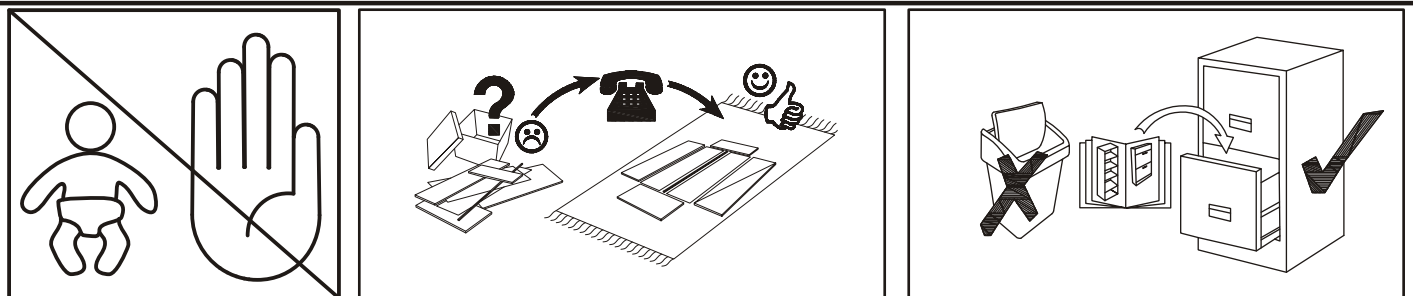
A1		B4		B5		G5		G7		G2	
x36	ø8x36	x32		x32	ø15x12	x32		x4		x1	

S1		E17		E13		UP6		L1		KR1	
x14		x2	H=16	x2	H=2	x2	UPØ4x30	x2		x2	

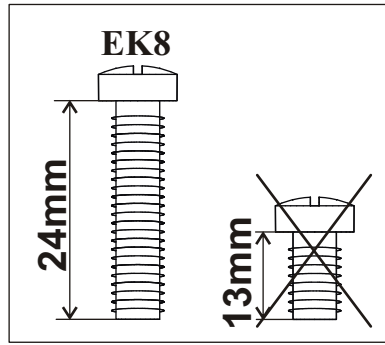
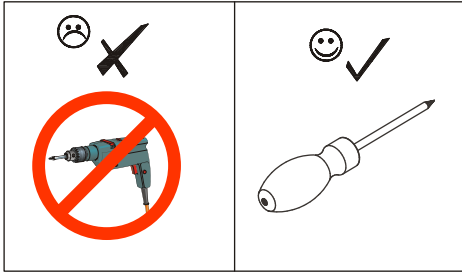
EK8		D10		UP13		D20		QU		I2	
x4	EKØ6,3x24	x14	USØ3,5x13	x9	UPØ3x16	x4	ESØ6,3x9,5	x1	L-350	x6	


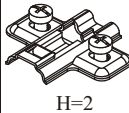


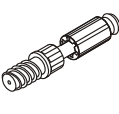
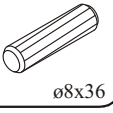
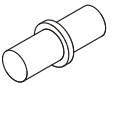

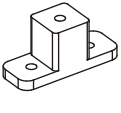
B11		B14		G4		KM1		G16		E0	
x4	Ø7x50	x16	Ø7x30	x20		x3		x3		x2	H=11

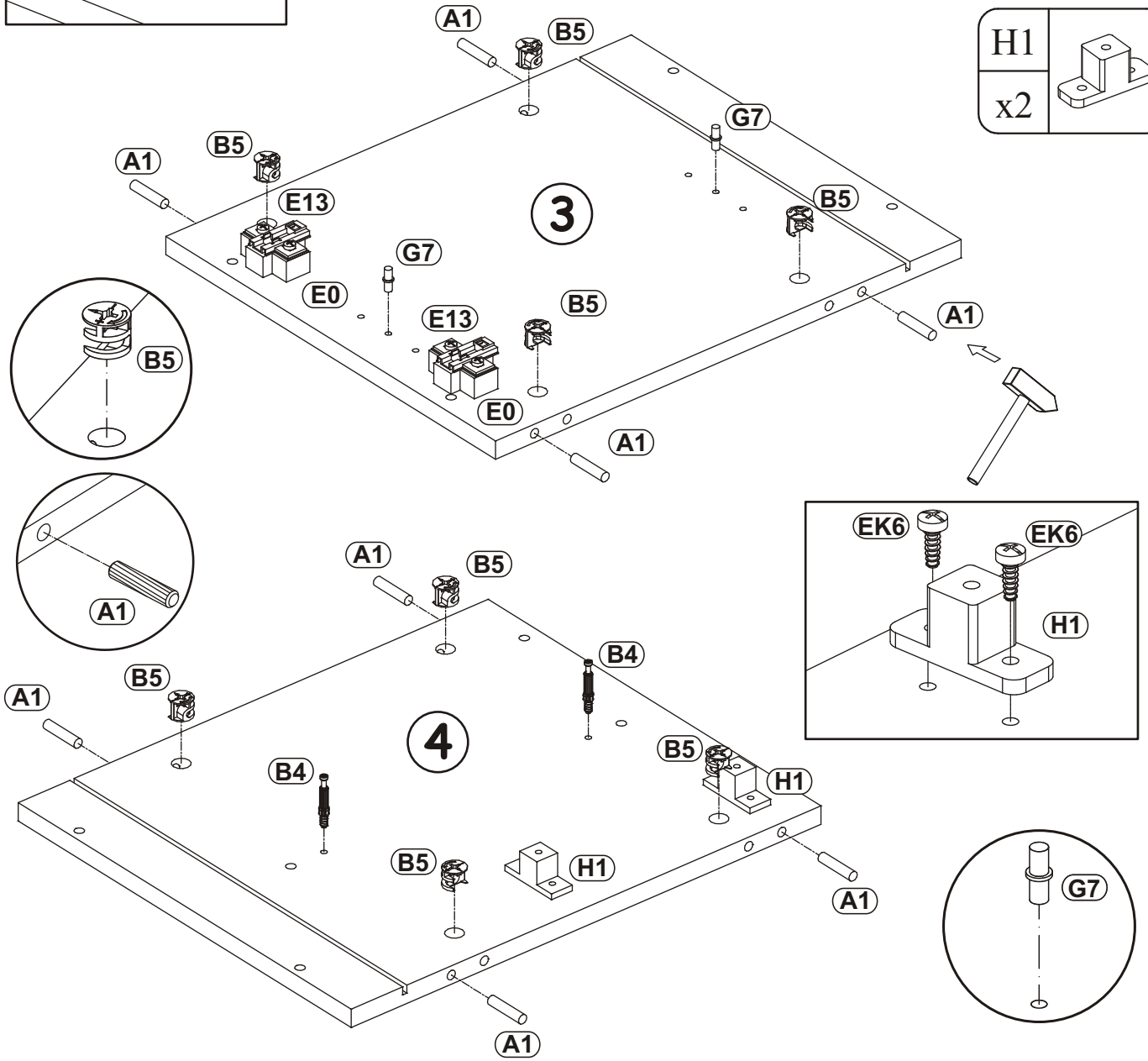
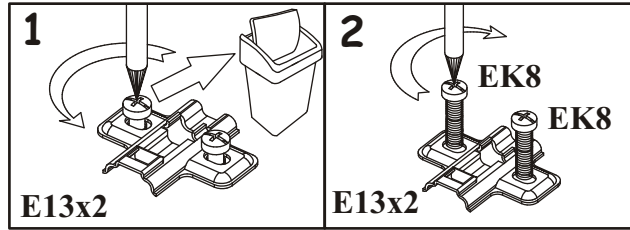
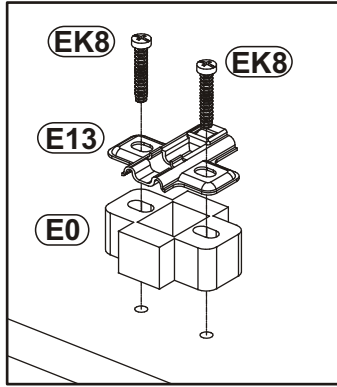
C19		D16		D4		G18		EK6		H1	
x2		x2	M4x16	x2	M4x30	x1	Ø60	x4	EKØ6,3x13	x2	



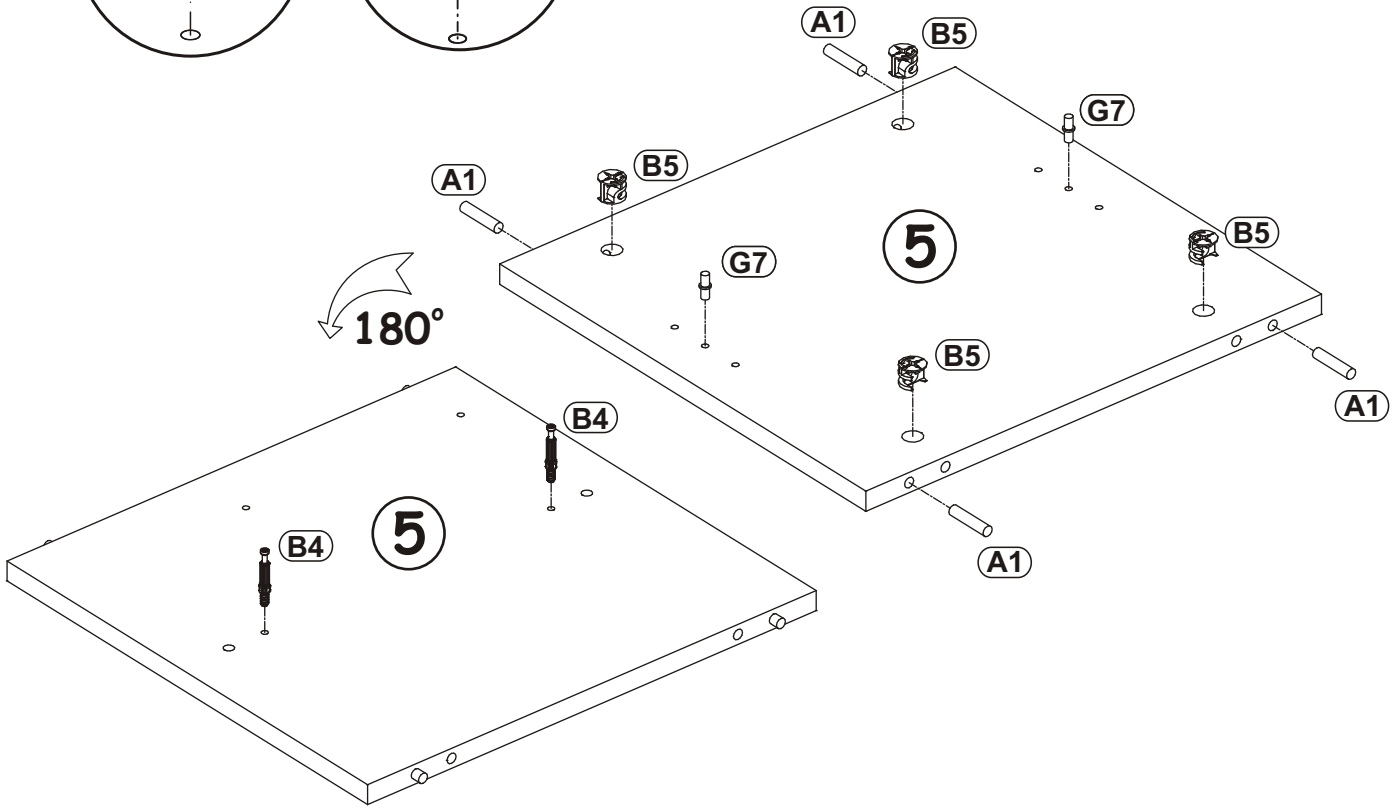
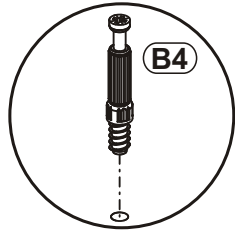
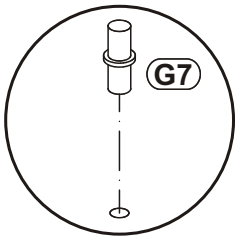
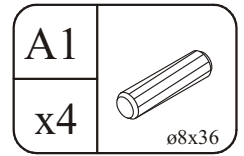
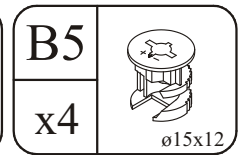
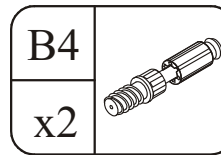
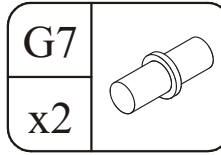
1



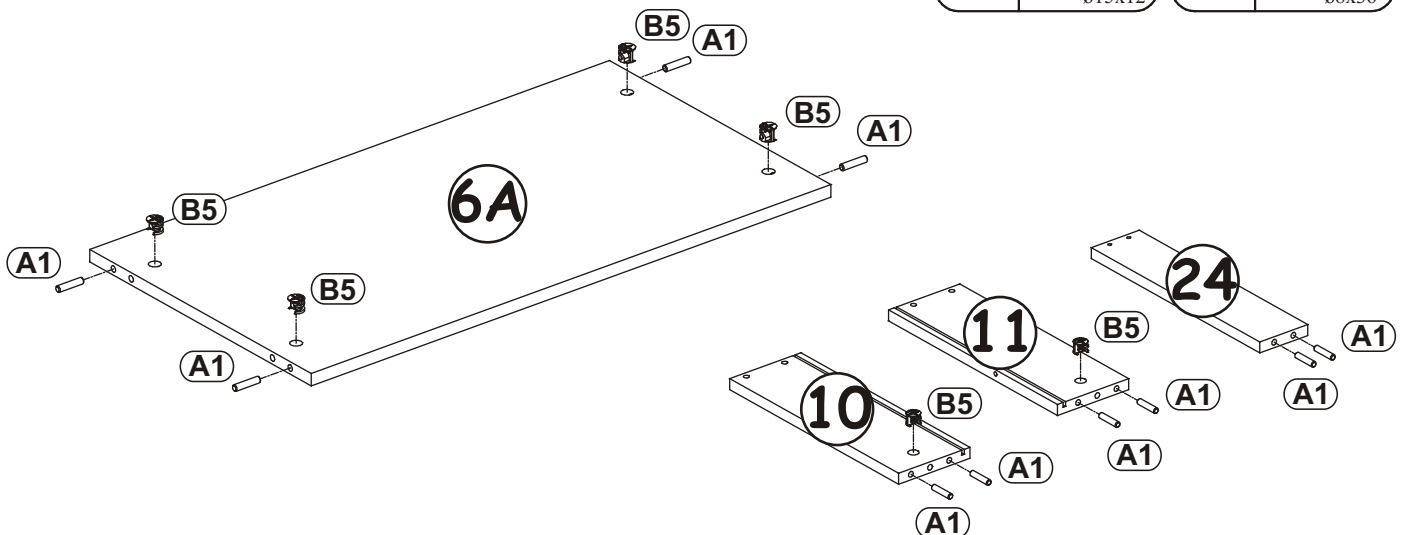
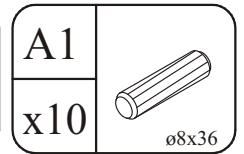
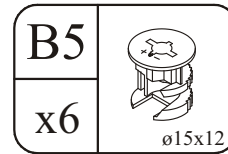
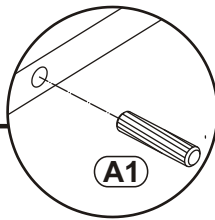
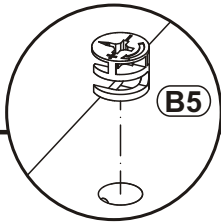
E0 x2	 H=11	E13 x2	 H=2
B5 x8	 ø15x12	EK8 x4	 EKØ6,3x24
B4 x2		A1 x8	 ø8x36
G7 x2		EK6 x4	 EKØ6,3x13
H1 x2			



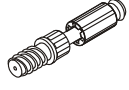
2

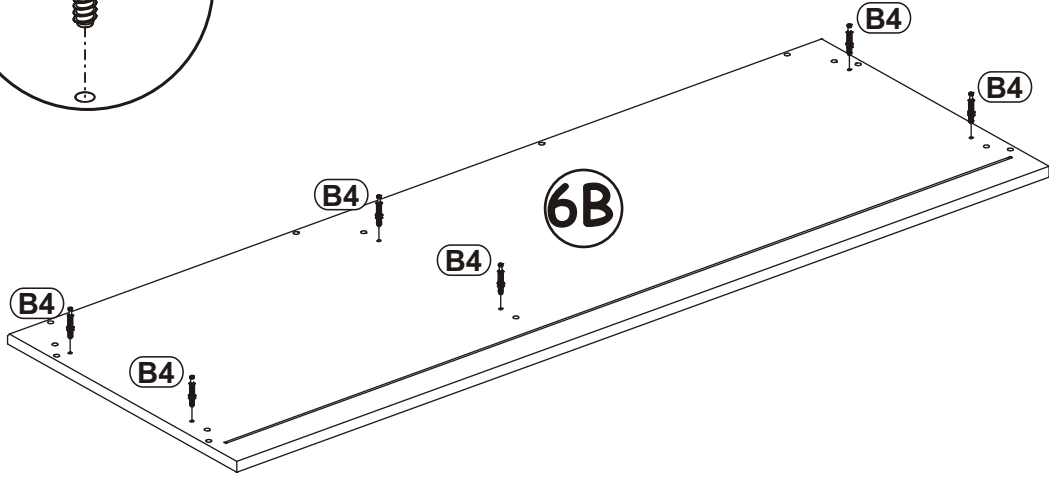
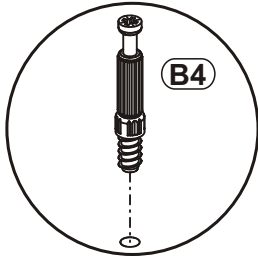


3

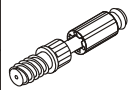


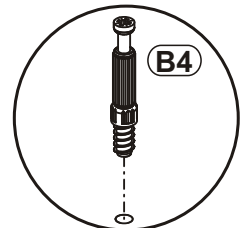
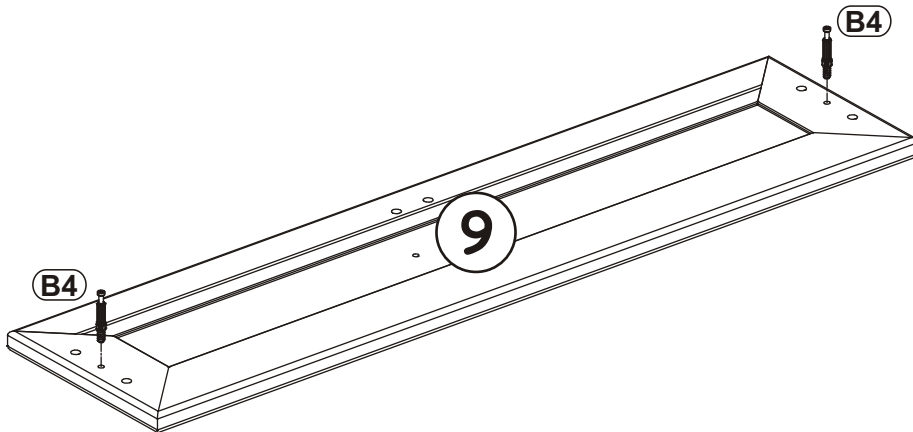
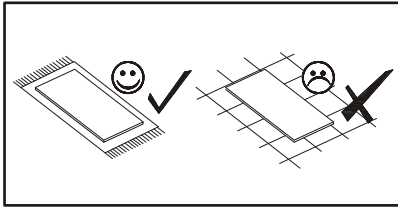
4

B4	
x6	

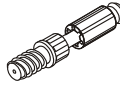

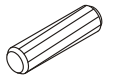


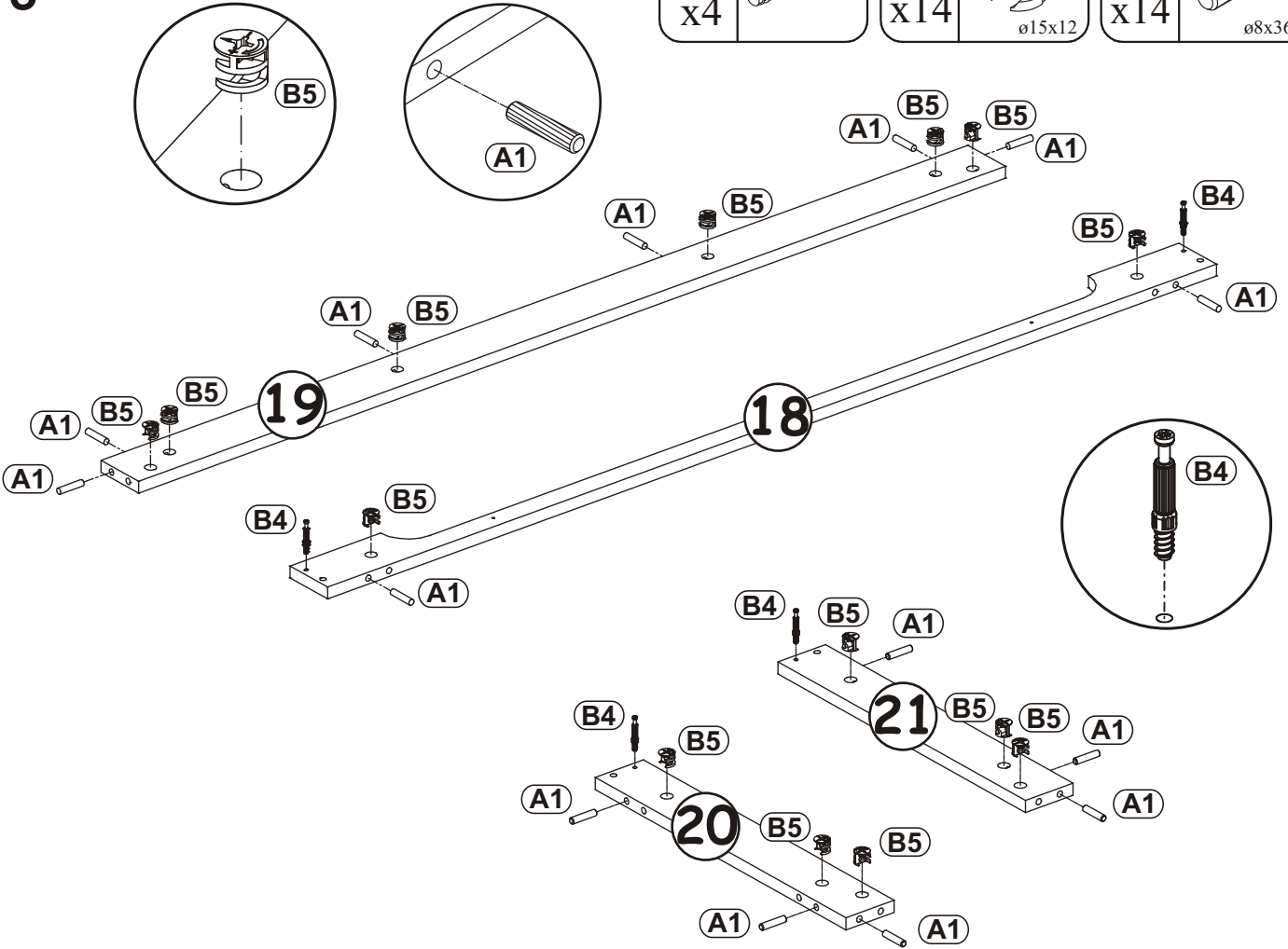
5

B4	
x2	

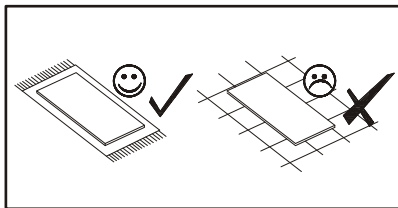


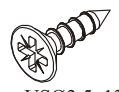

6

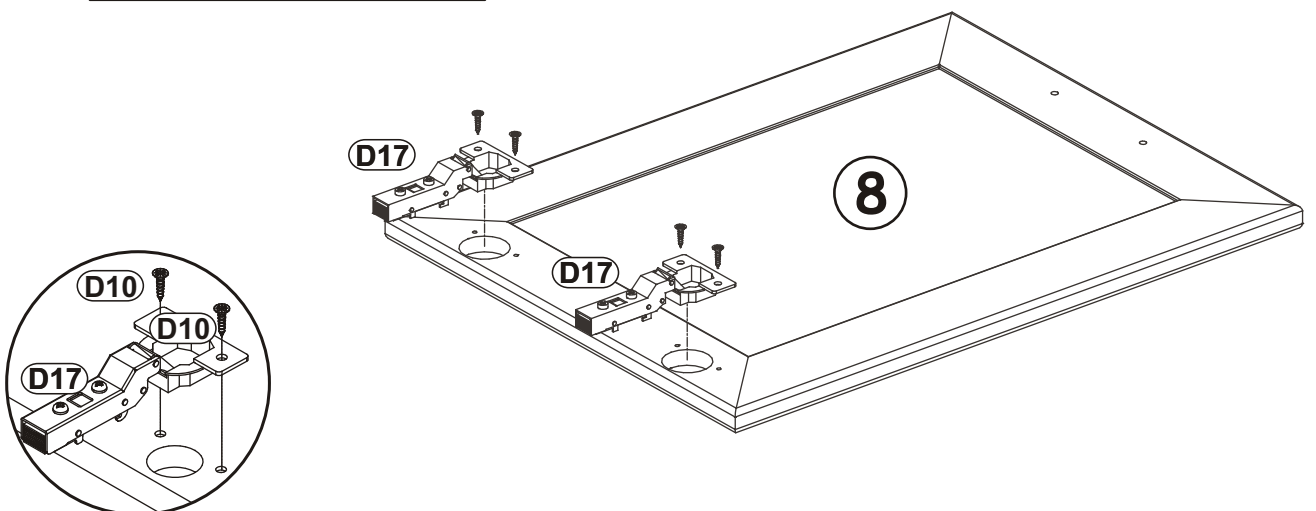
B4		B5		A1	
x4		x14	ø15x12	x14	ø8x36



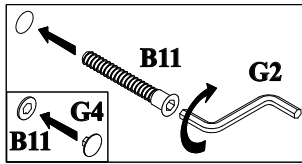
7



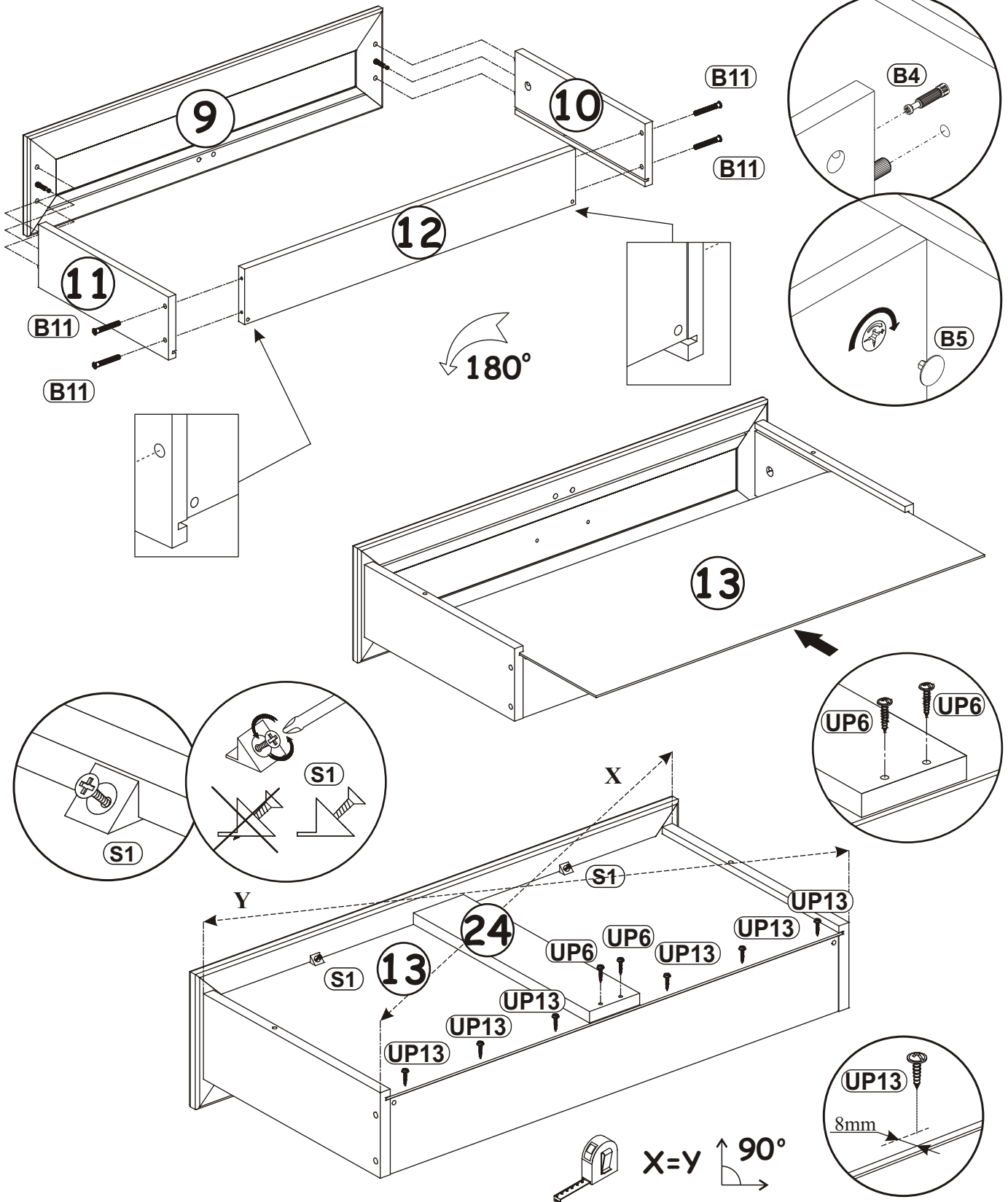
D10		E17	
x4	USØ3,5x13	x2	H=16



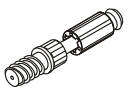
8

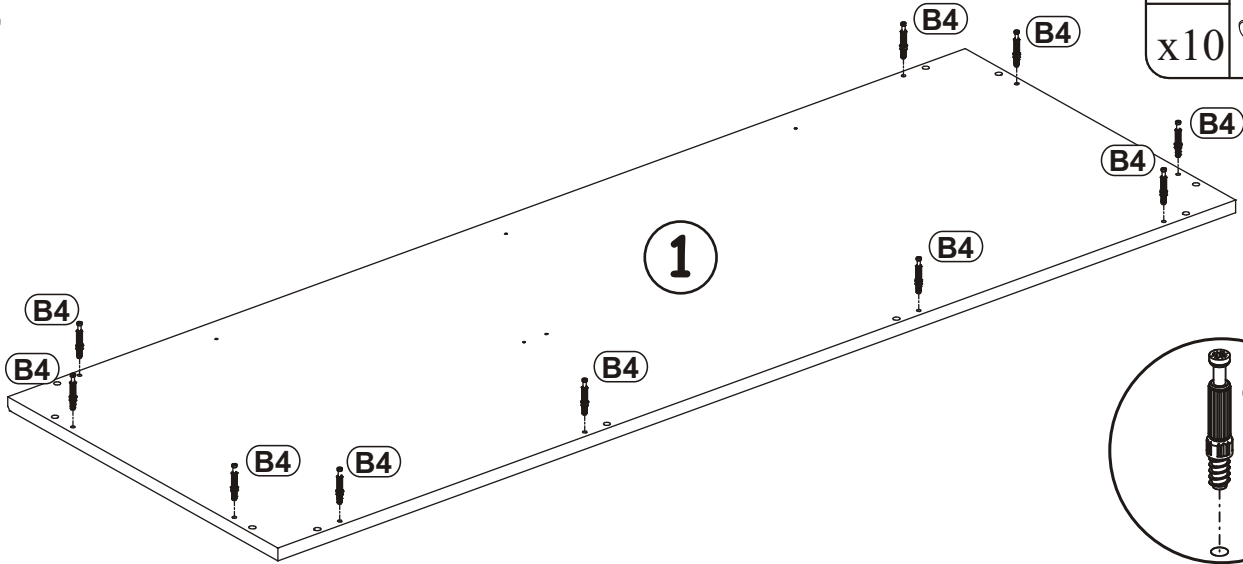


G5		B11		G4	
x2		x4	Ø7x50	x4	
UP13		S1		UP6	
x6	UPØ3x16	x2		x2	UPØ4x30




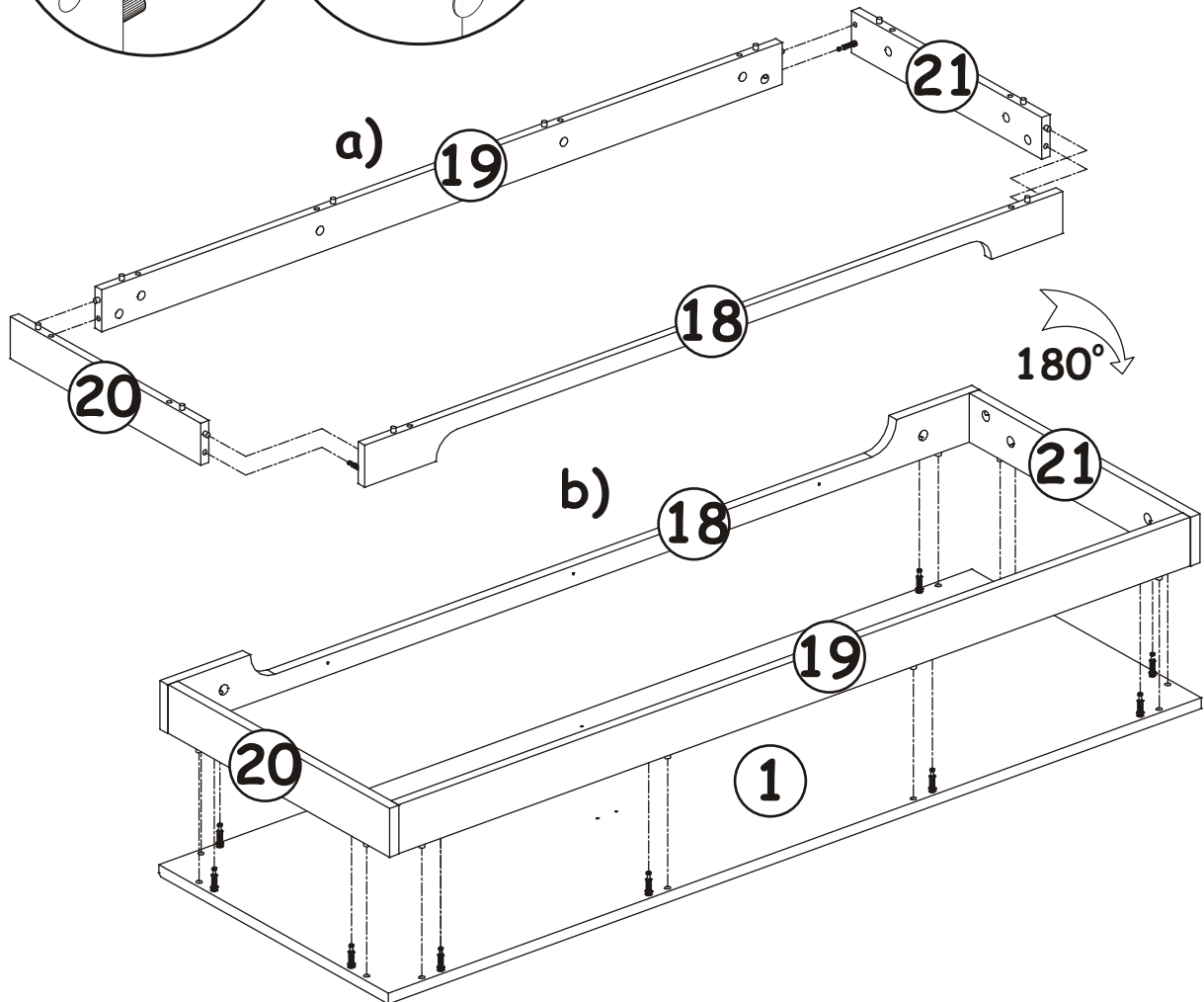
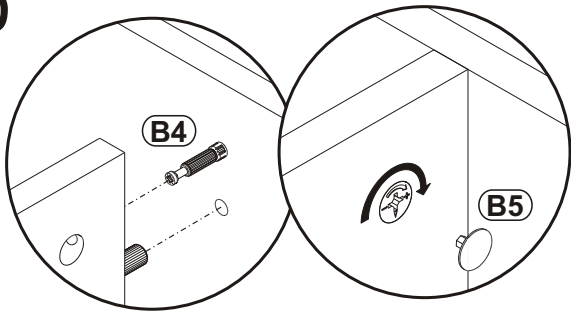
9

B4	
x10	

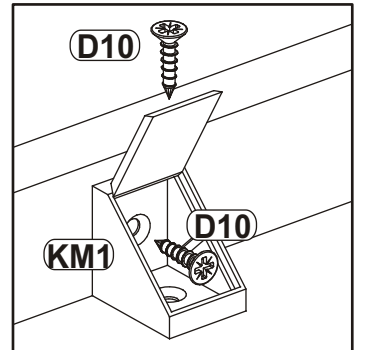
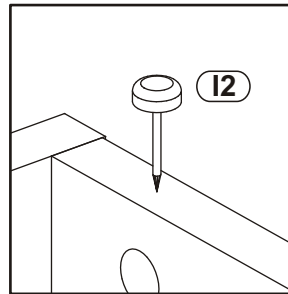
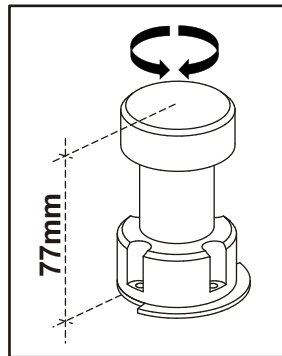
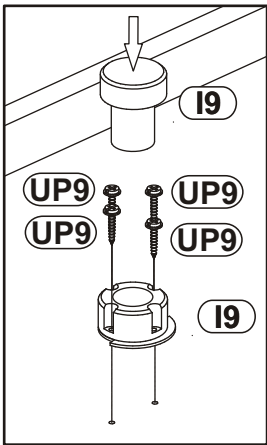
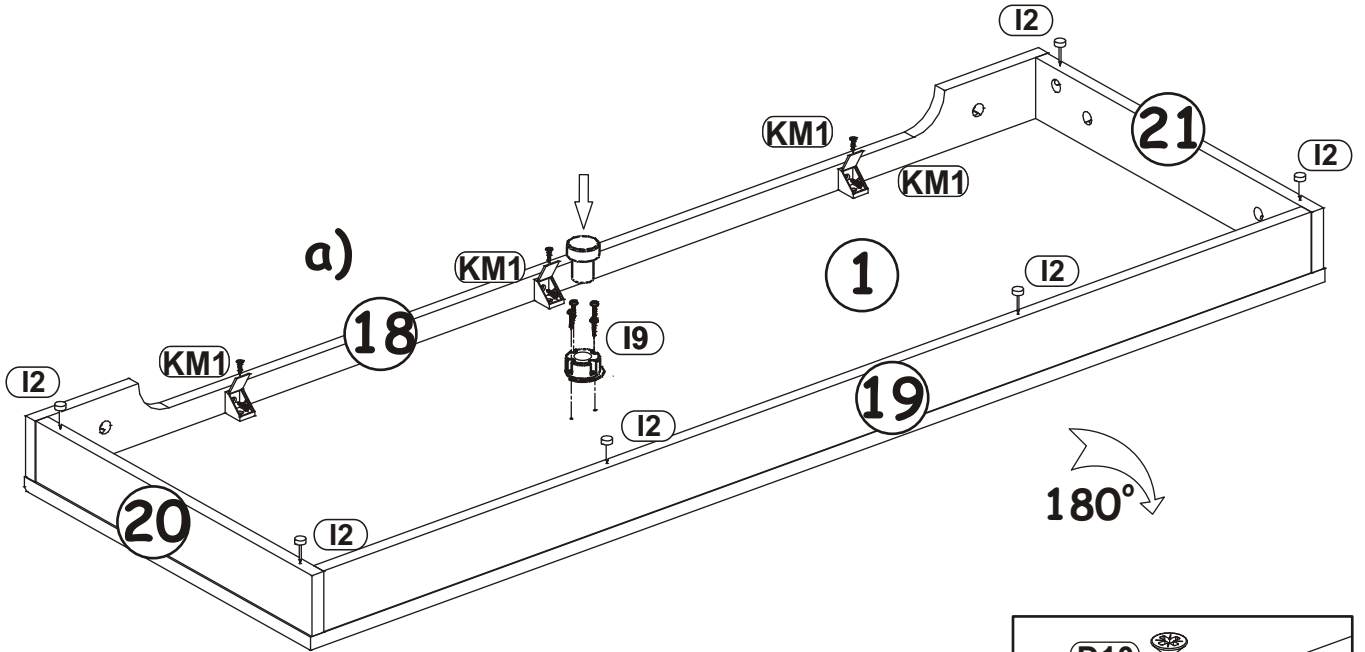
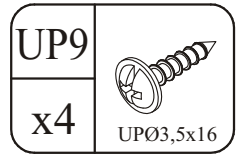
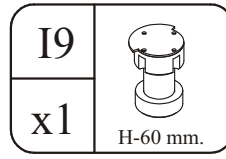
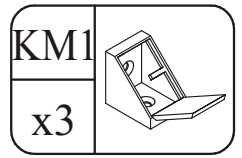
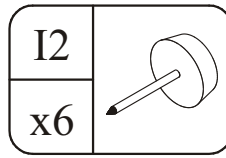
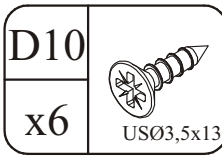
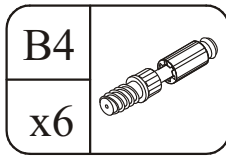


10

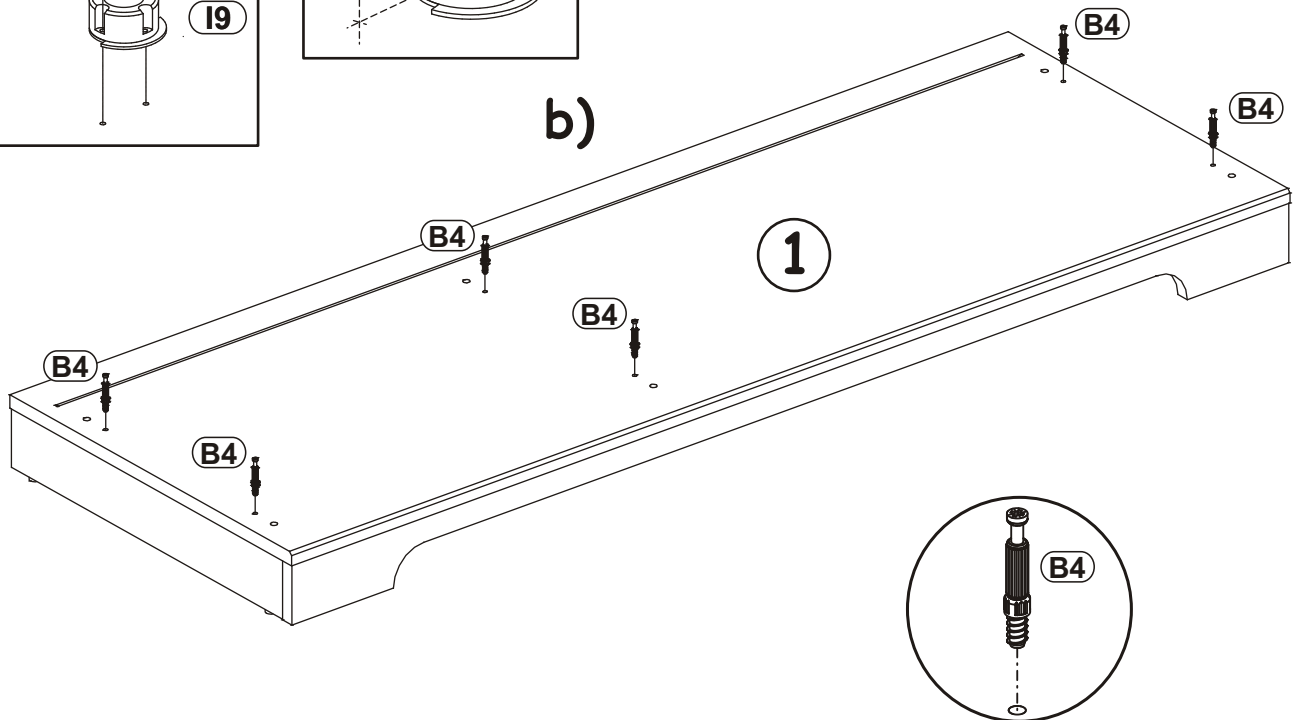
G5	
x14	



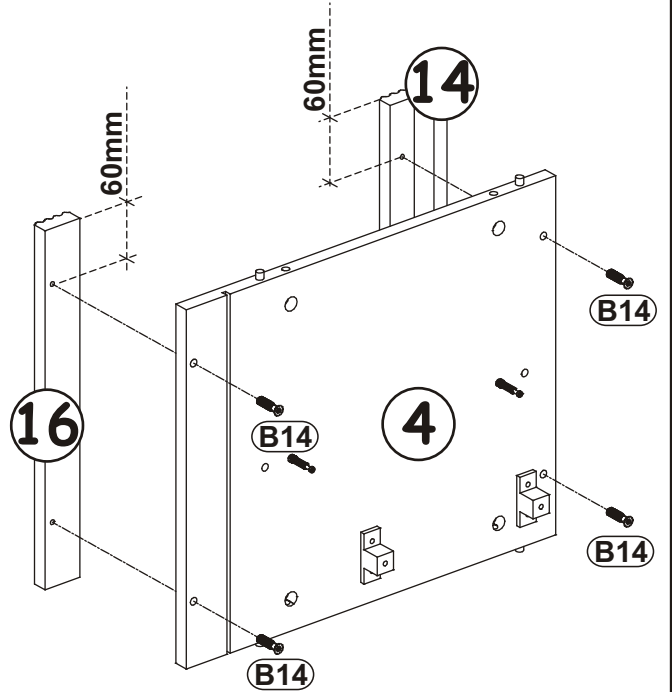
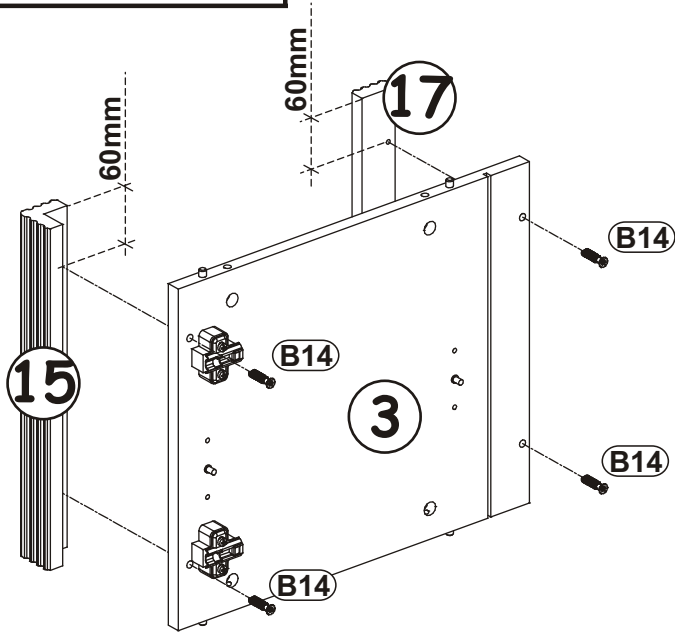
11



b)

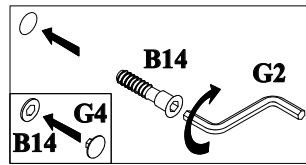


12

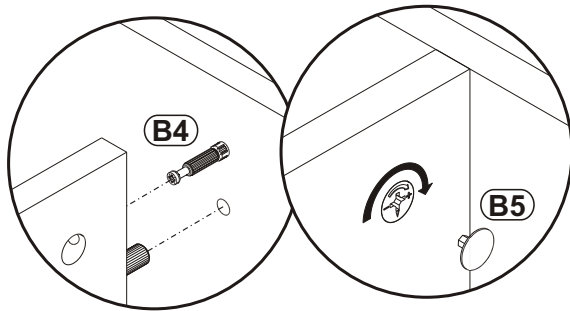


G4	
x8	

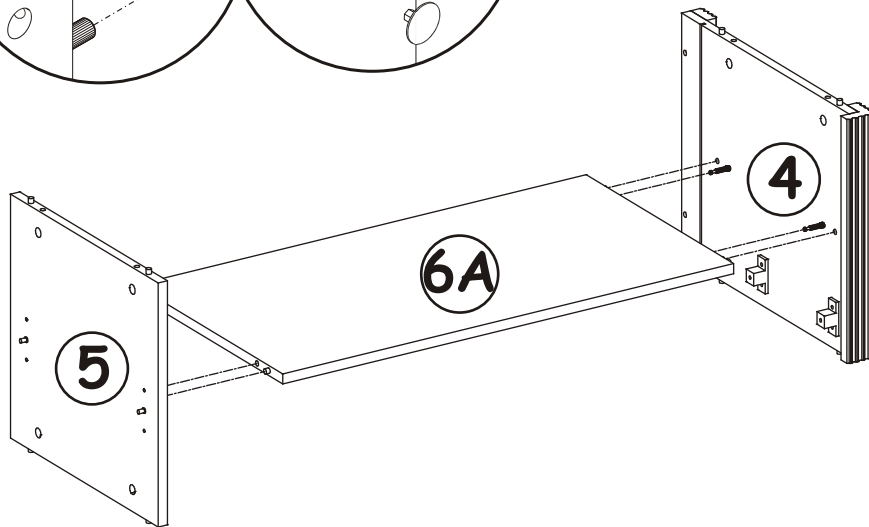
B14	
x8	Ø7x30



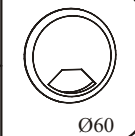

13

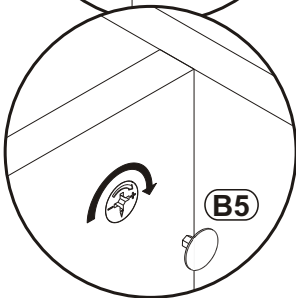
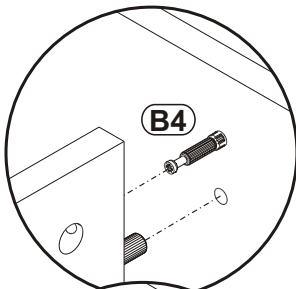
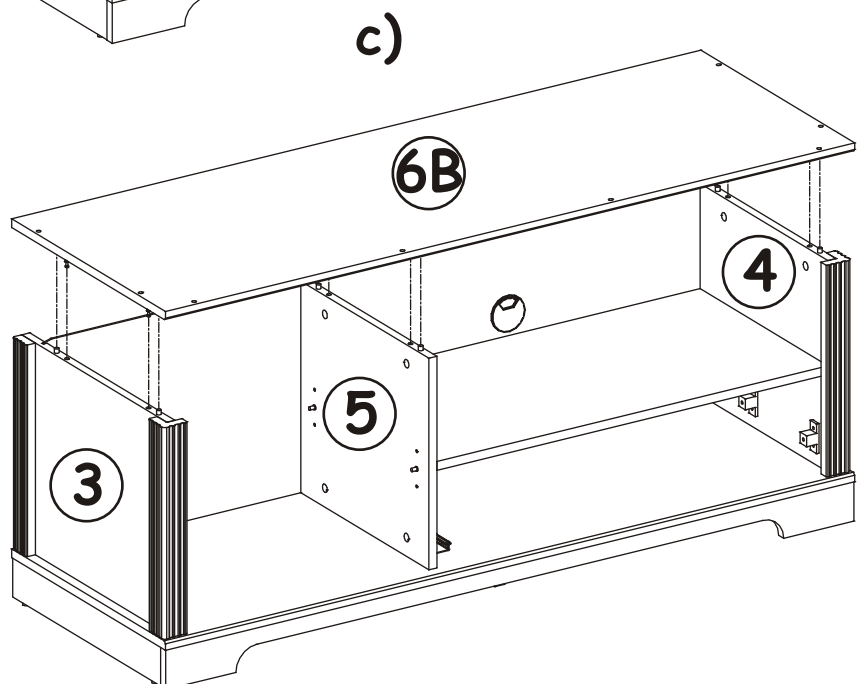
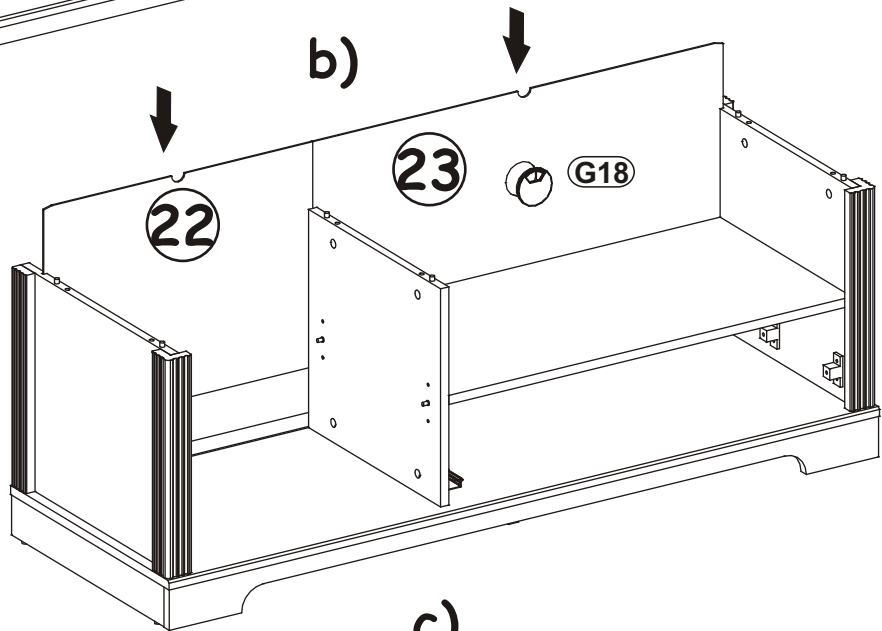
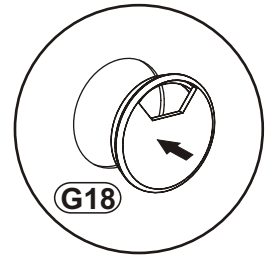
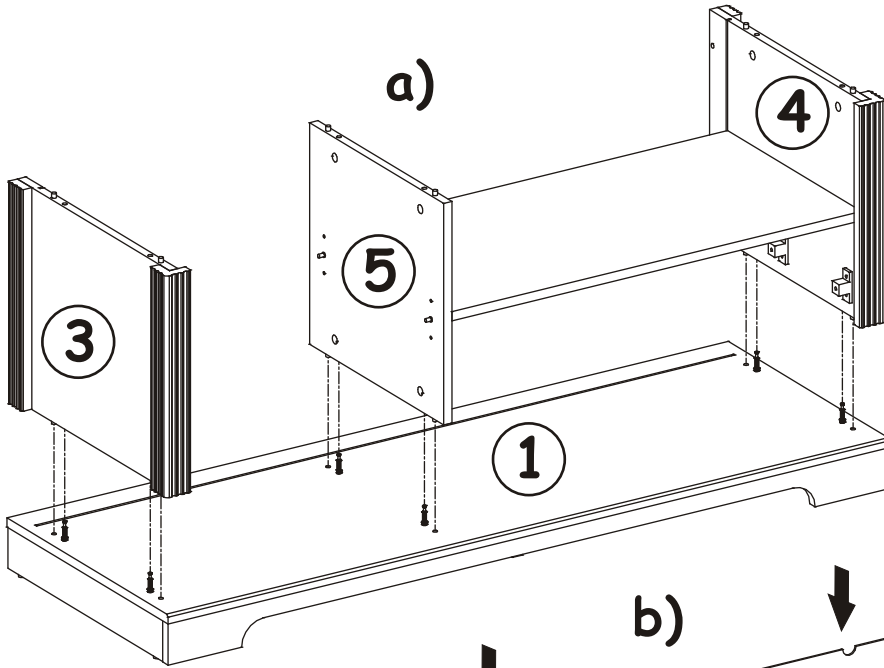


G5	
x4	

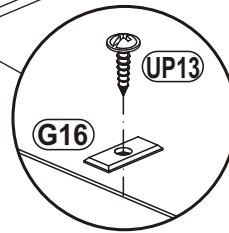
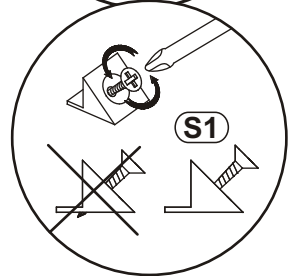
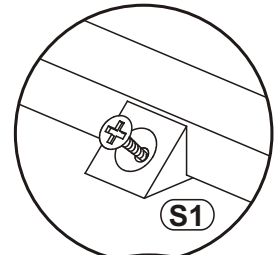
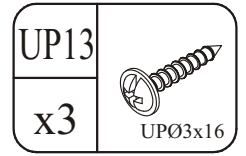
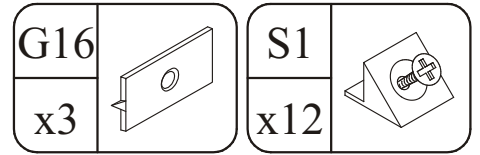
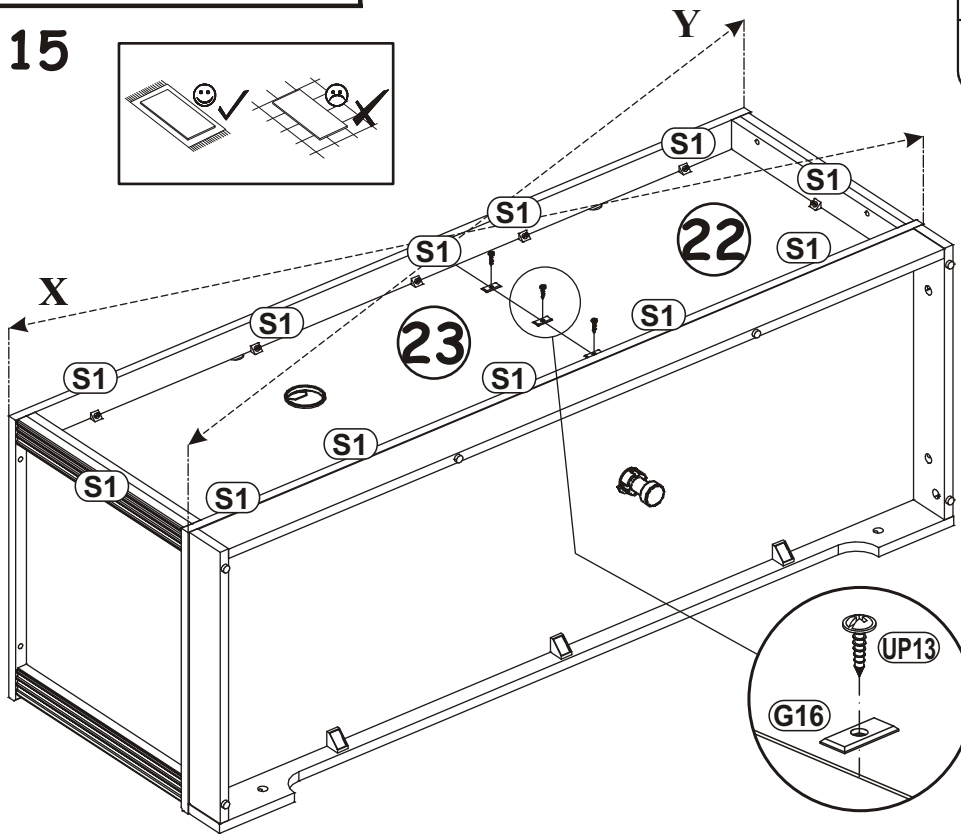
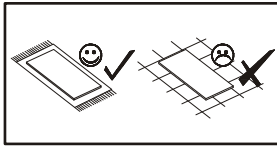


14

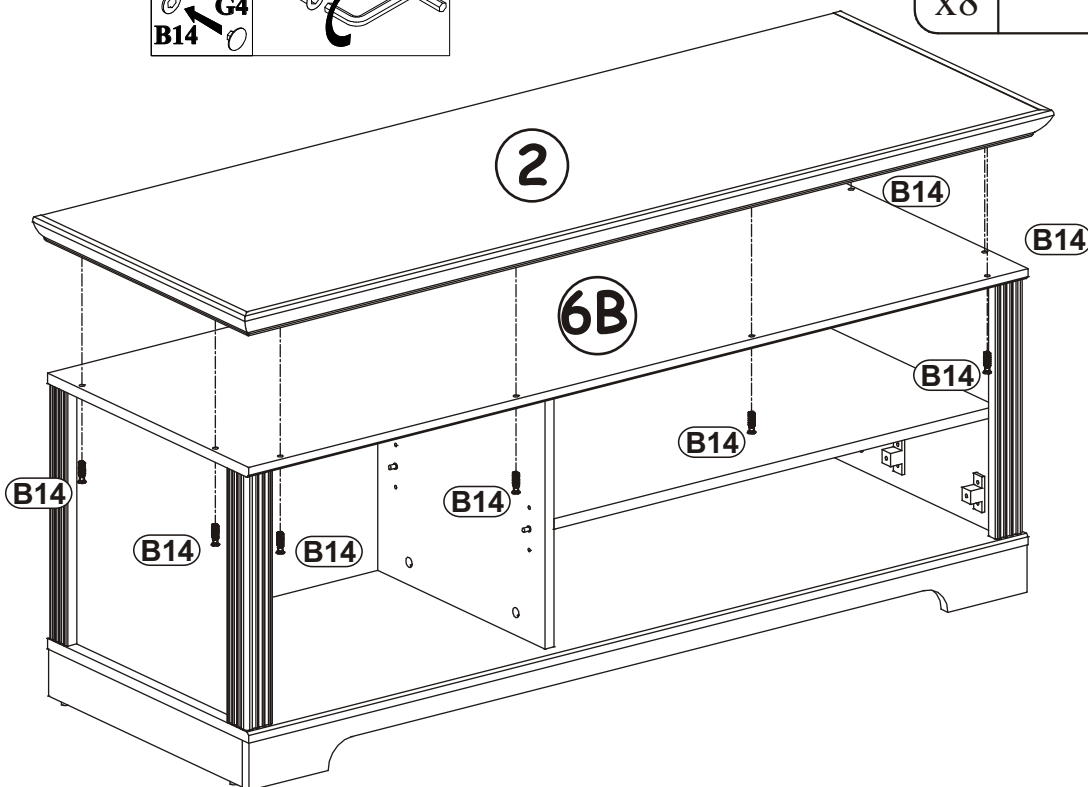
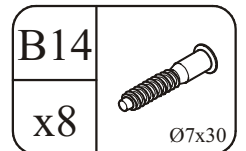
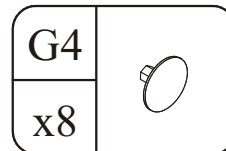
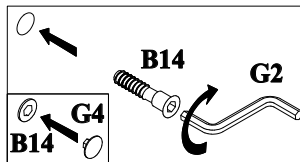
G18		G5	
x1	Ø60	x12	



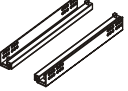


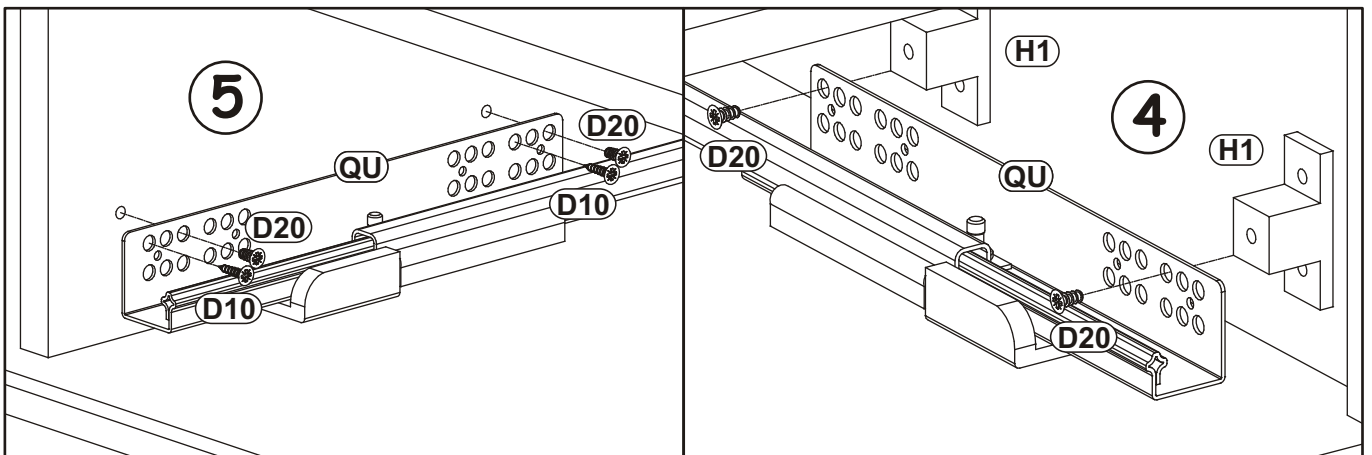
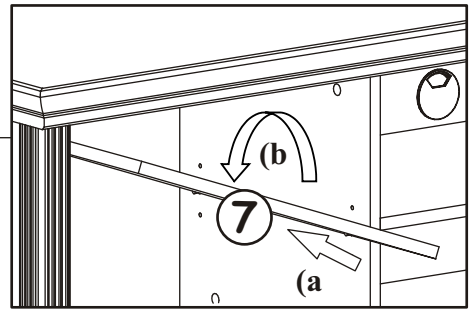
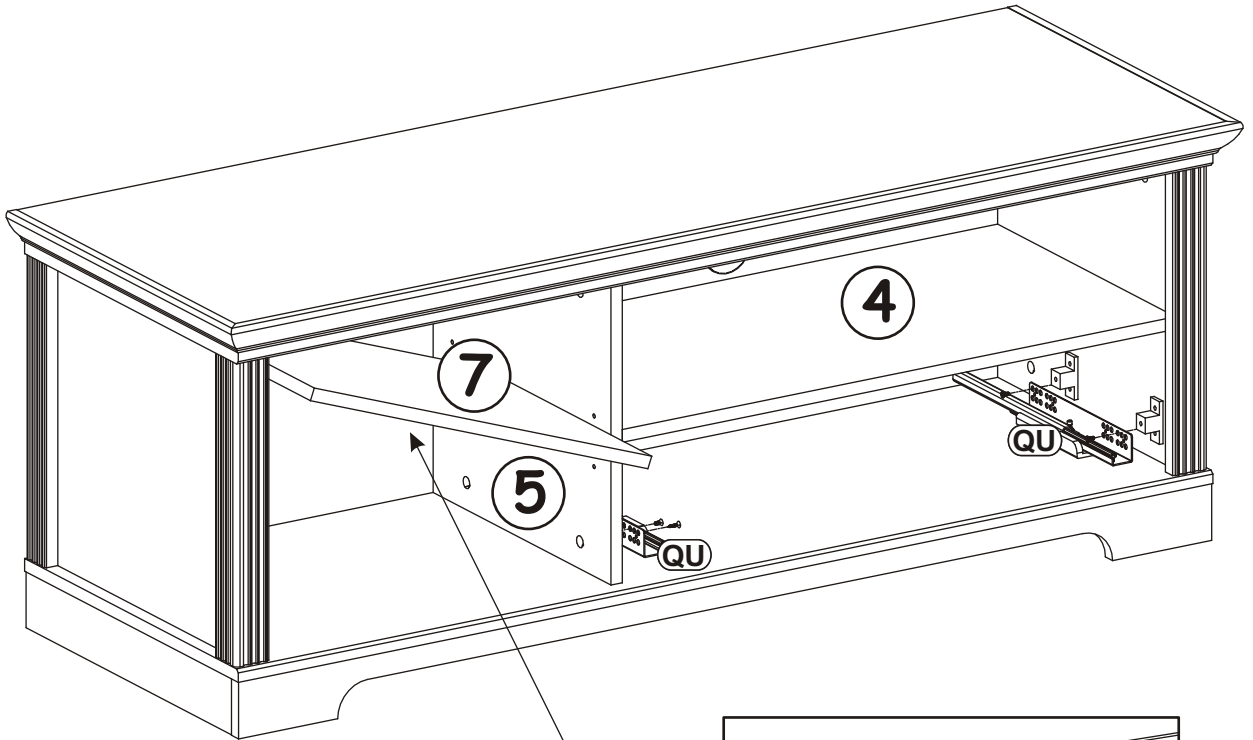
15



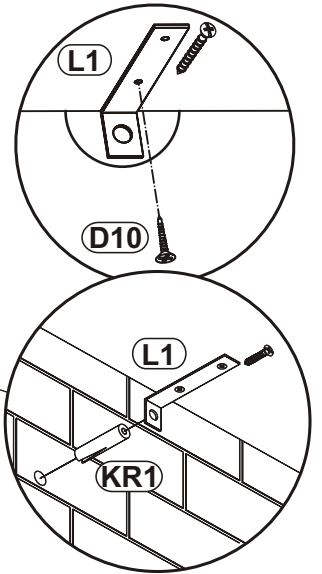
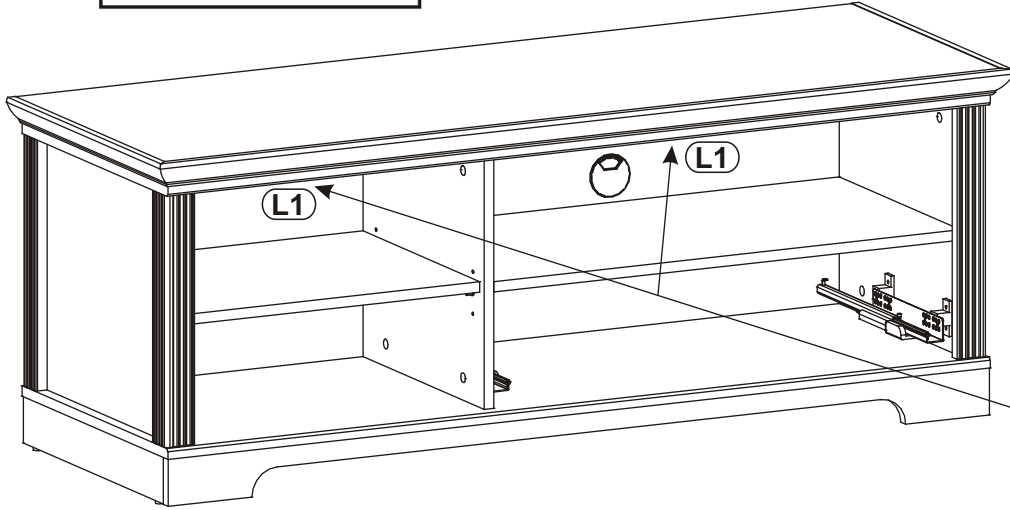
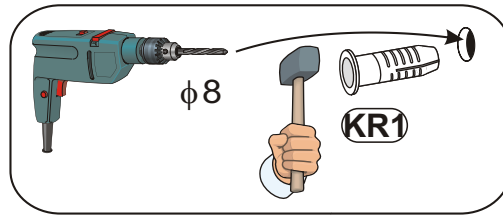
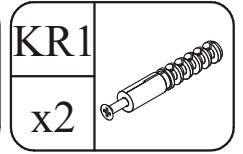
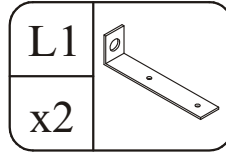
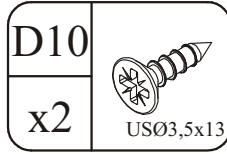
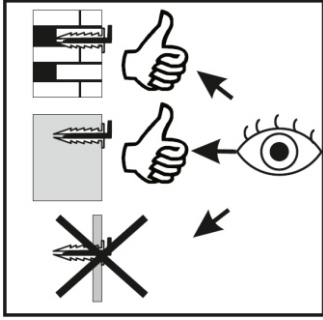
16



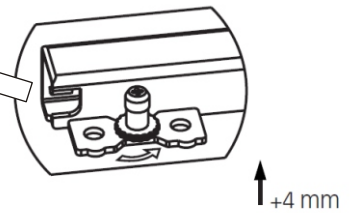
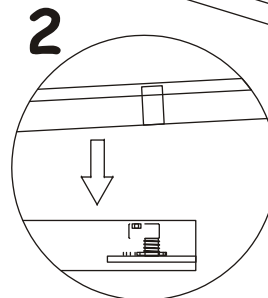
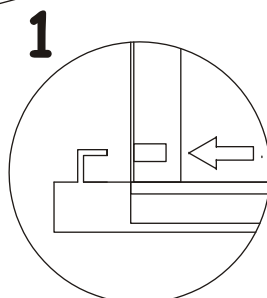
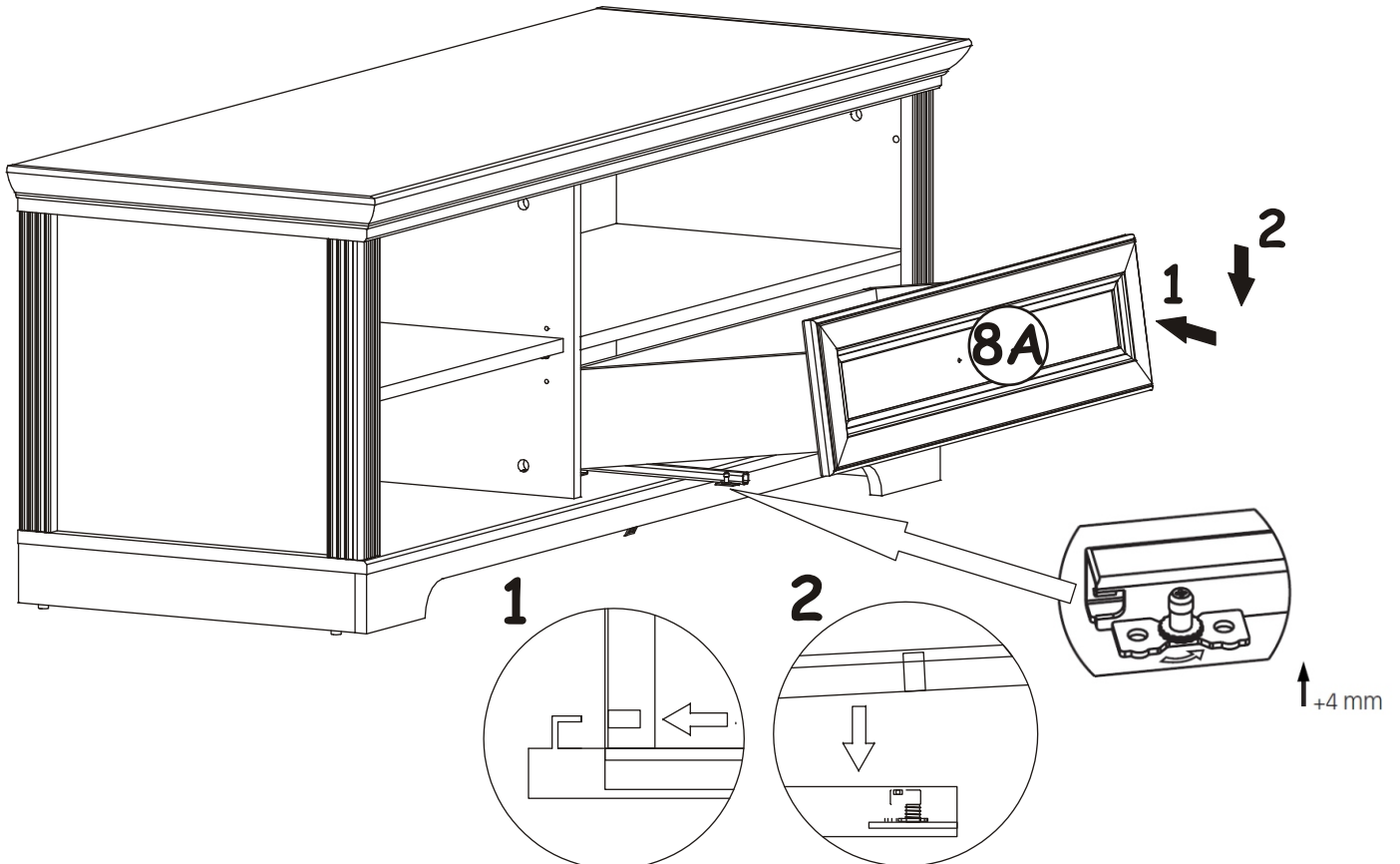
D10		D20		QU	
x2	USØ3,5x13	x4	ESØ6,3x9,5	x1	L-350

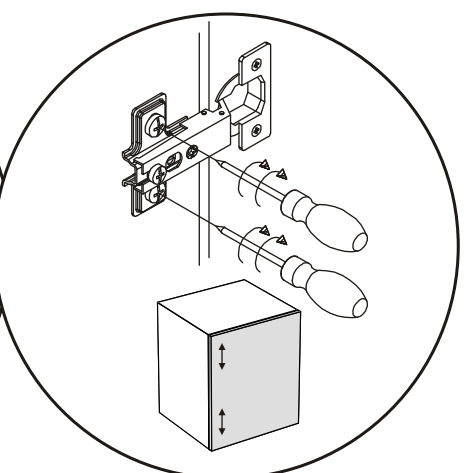
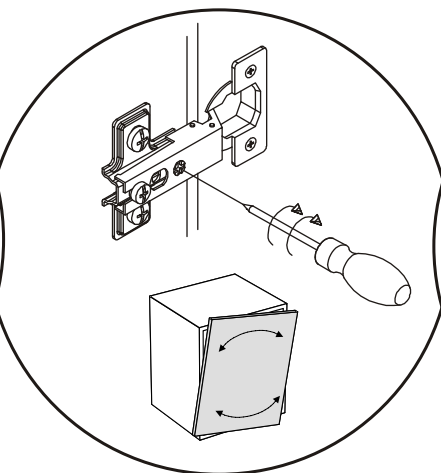
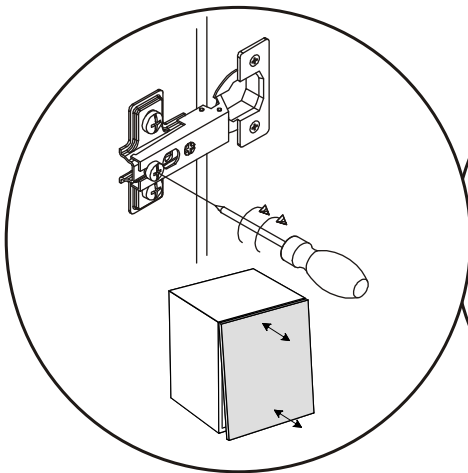
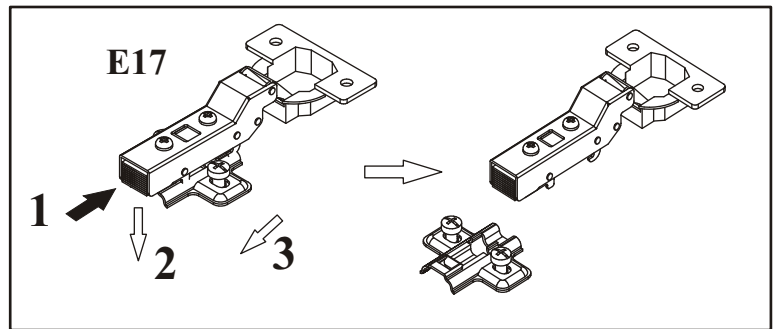
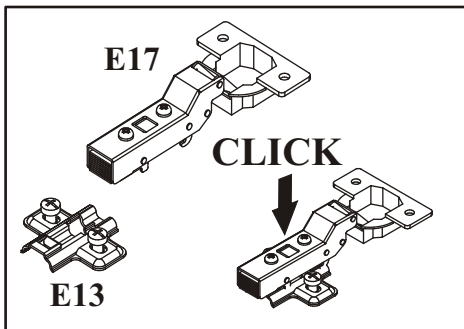
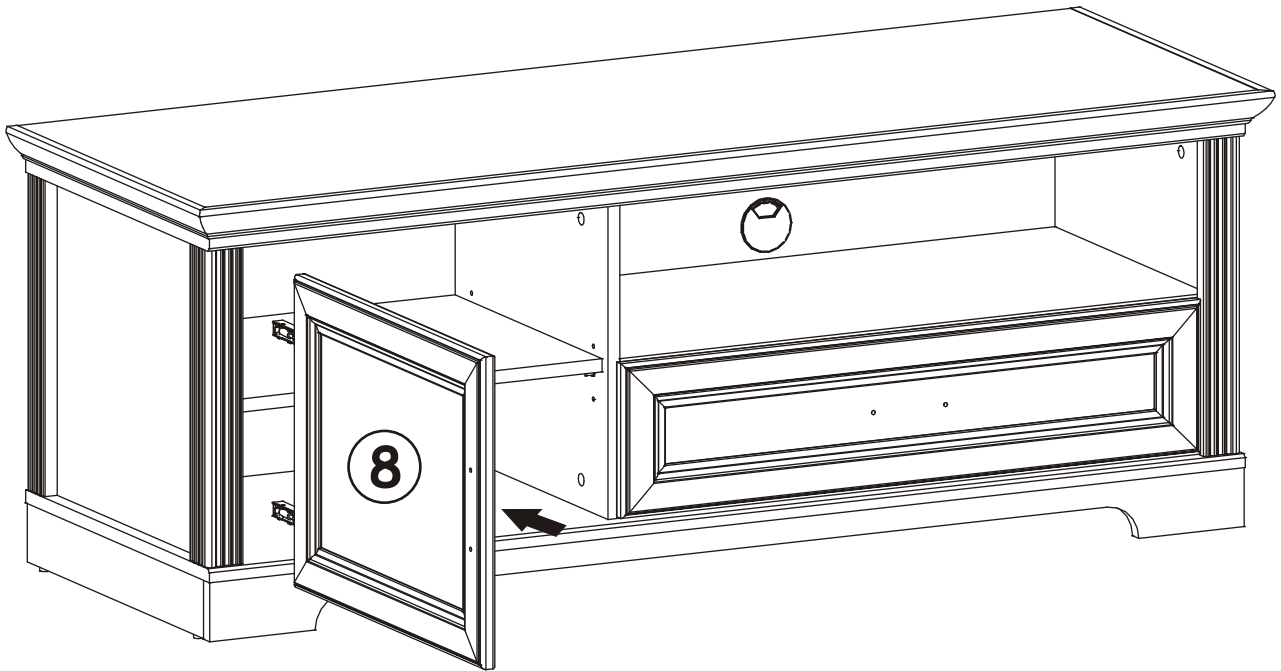


18



19





21

